

a. Fault Alarm

When the device fails, the alarm light is turned on at the upper entrance.

b. Shopping Cart Arrival Reminder

When the shopping cart arrives at the exit, the sensor will be automatically turned on at the entrance of the induction device, indicating that the user's shopping cart has arrived.

c. Security Door

Prevent people or other objects from entering the shopping cart or playing it as a slide.

d. Entrance Stop Switch

The emergency stop switch at the upper and lower entrances can stop the device from running.

e. Entrance Security Protection

Prevent foreign materials from entering the entrance of the transmission chain

f. Fault Indication Direction Running

When the equipment is shut down or abnormal, the LCD display fault code is displayed at the lower entrance, which is convenient to find the fault course

g. Start Switch



a. Fault alarm

b. Shopping cart arrival reminder

f. Fault indication direction running

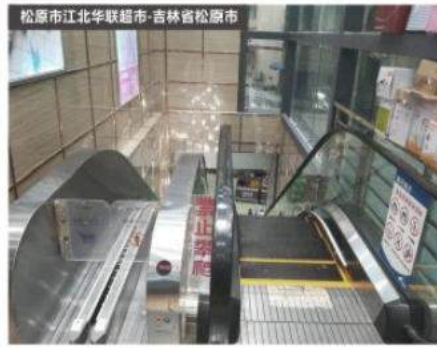
c. Security

d. Entrance stop switch

e. Entrance Security Protection

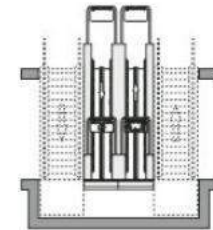
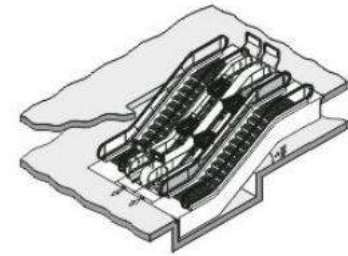
g. Start switch

Dazen Shopping Cart Escalator Cases

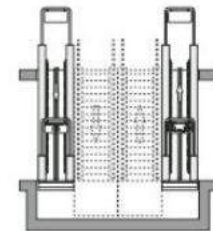
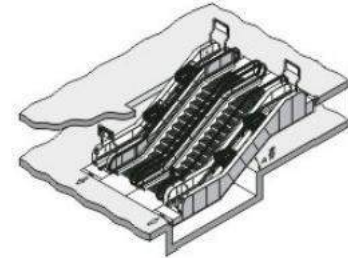


Logical Arrangement System Act Layout

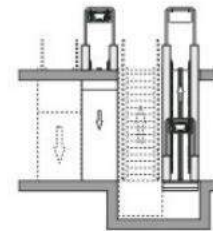
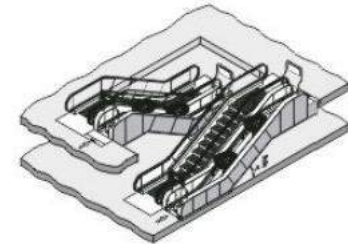
Plan A



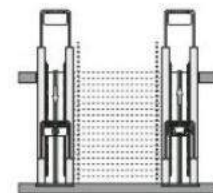
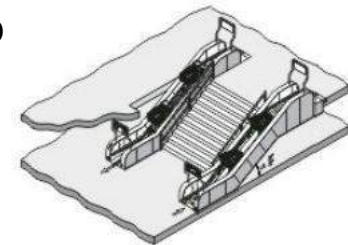
Plan B



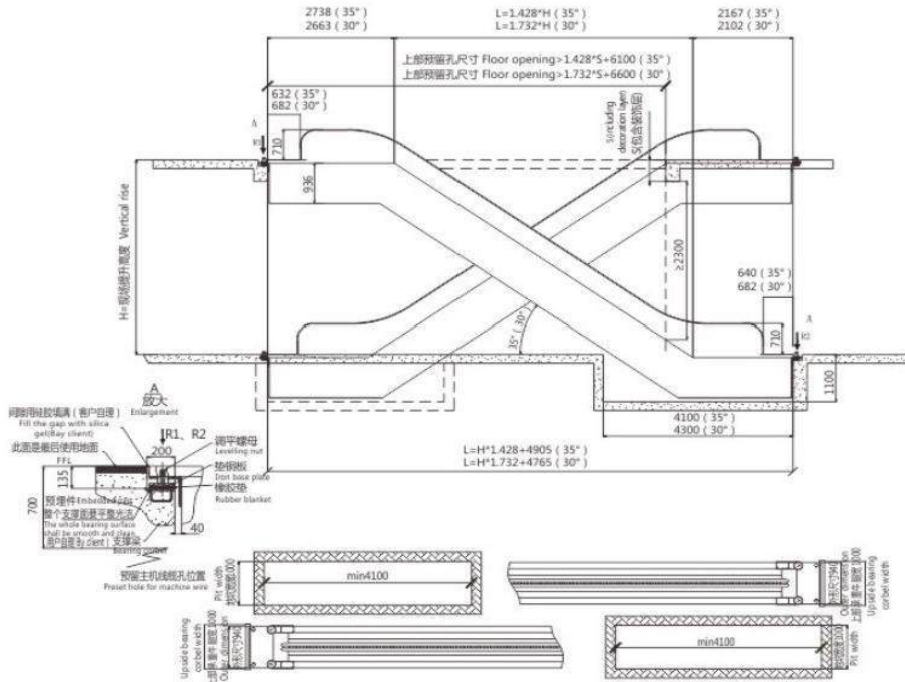
Plan C



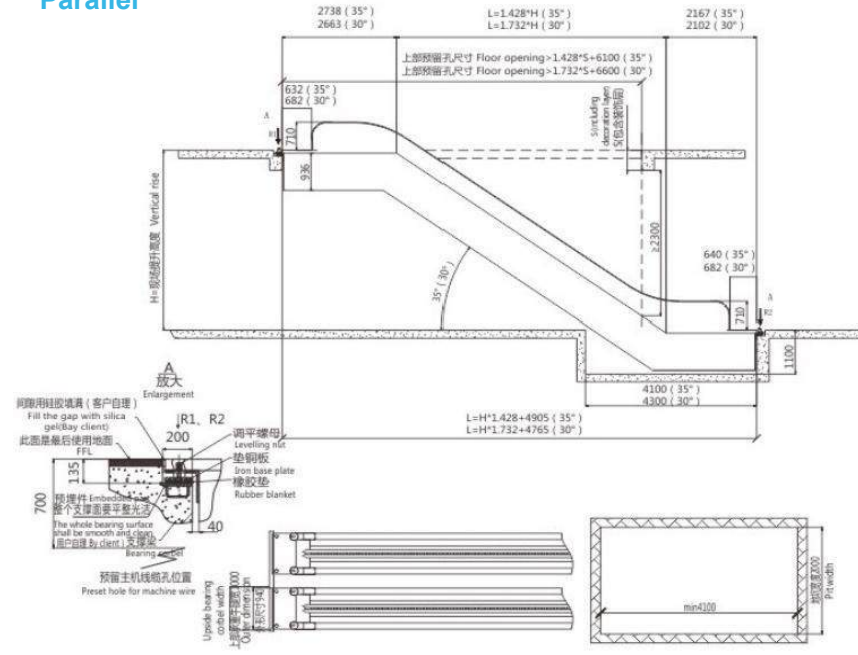
Plan D



Cross



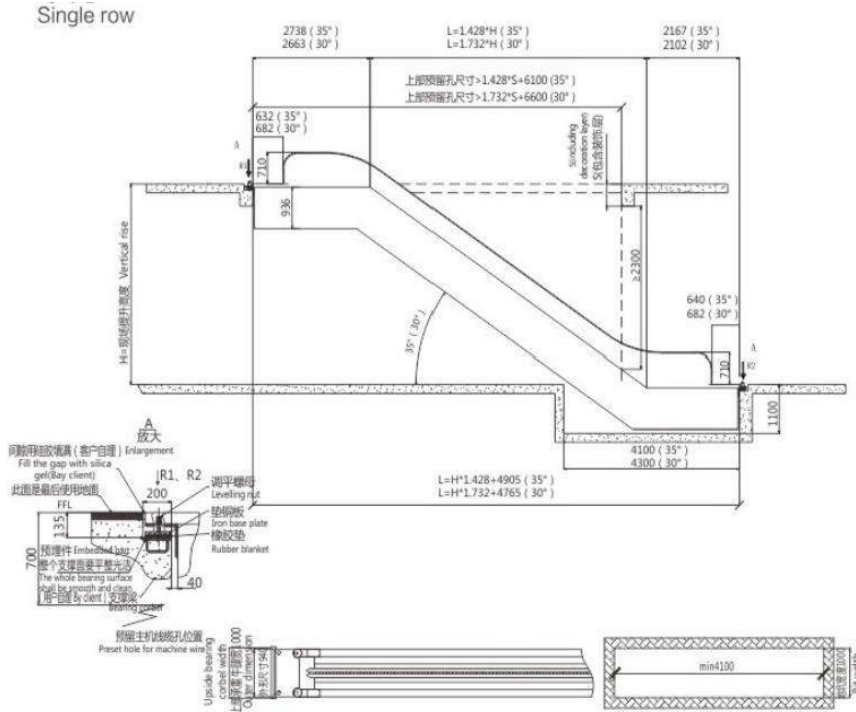
Parallel



Vertical height (mm)	35			30		
	Horizontal length (mm)	R1(KN) Bearing force	R2(KN) Bearing force	L(mm) Horizontal length	R1(KN) Bearing force	R2(KN) Bearing force
3000	9189	50	38	9961	52	40
3500	9903	52	40	10827	54	42
4000	10617	54	42	11693	57	45
4500	11331	56	44	12559	60	48
5000	12045	58	46	13425	62	50
5500	12759	60	48	14291	65	53
6000	13473	62	50	15157	67	55

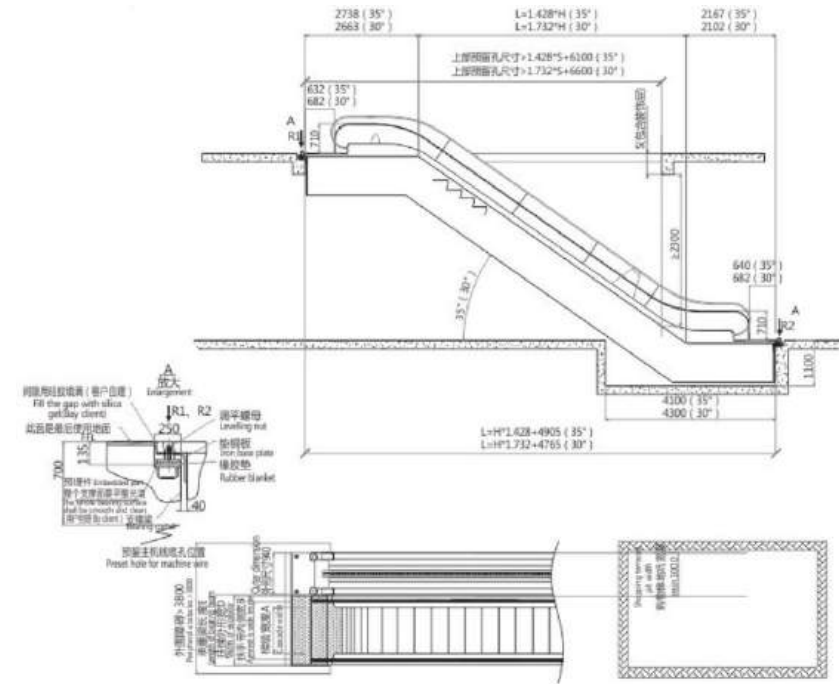
Vertical rise H(mm)	35			30		
	Horizontal Length (mm)	R1(KN) Bearing force	R2(KN) Bearing force	L(mm) Horizontal length	R1(KN) Bearing force	R2(KN) Bearing force
3000	9189	50	38	9961	52	40
3500	9903	52	40	10827	54	42
4000	10617	54	42	11693	57	45
4500	11331	56	44	12559	60	48
5000	12045	58	46	13425	62	50
5500	12759	60	48	14291	65	53
6000	13473	62	50	15157	67	55

Single Row



H(mm) Vertical rise	35			30		
	L(mm) Horizontal length	R1(KN) Bearing force	R2(KN) Bearing force	L(mm) Horizontal length	R1(KN) Bearing force	R2(KN) Bearing force
3000	9189	50	38	9961	52	40
3500	9903	52	40	10827	54	42
4000	10617	54	42	11693	57	45
4500	11331	56	44	12559	60	48
5000	12045	58	46	13425	62	50
5500	12759	60	48	14291	65	53
6000	13473	62	50	15157	67	55

Escalator Joint



H(mm) Vertical rise	35			30		
	L(mm) Horizontal length	R1(KN) Bearing force	R2(KN) Bearing force	L(mm) Horizontal length	R1(KN) Bearing force	R2(KN) Bearing force
3000	9189	50	38	9961	52	40
3500	9903	52	40	10827	54	42
4000	10617	54	42	11693	57	45
4500	11331	56	44	12559	60	48
5000	12045	58	46	13425	62	50
5500	12759	60	48	14291	65	53
6000	13473	62	50	15157	67	55